

gorilla[®]

playsets



See Saw

ASSEMBLY MANUAL

Copyright © 2010 Gorilla Playsets

All Rights Reserved

Latest Revision: November 16, 2010

Gorilla Playsets • 190 Etowah Industrial Court Canton, GA 30114
(800) 882-0272 • www.gorillaplaysets.com

TABLE OF CONTENTS

Warranty and Safety Guidelines.....	Pages 3 - 7
Kit Contents and Tool List.....	Pages 8 - 10
Steps 1-5	Pages 11 - 15
Customer Registration Card.....	Page 16

**PLEASE READ OWNER'S MANUAL CAREFULLY
BEFORE STARTING ASSEMBLY!**

IMPORTANT – PLEASE READ

As fresh lumber acclimates to its new environment, the natural tendencies of the tree can show itself in the form of checks, or “cracks” in the lumber. In almost all cases this is normal and it will not affect the structural integrity of your play set.

Cosmetic defects that do not affect the structural integrity of the product, or natural defects of wood such as warping, checking or any other physical properties of wood that do not present a safety hazard, are not covered by this warranty. Defects that develop because the product is exposed to extreme climate conditions are not covered by this warranty. Defects that develop as a result of faulty or improper installation of the product are also not covered by this warranty.

Most cracks are not warrantable, however if you believe that the integrity of your play set is compromised by this natural occurrence, please follow the warranty claim procedure found at www.gorillaplaysets.com. Click on the “Customer Care” tab on the left hand side of the page, then click on “Warranty Claim” and follow the instructions.

We appreciate your purchase and know that you will enjoy your play system for many years to come.

IF YOU HAVE MISSING OR DAMAGED PARTS OR NEED ASSISTANCE ASSEMBLING, PLEASE CALL Gorilla Playsets™ MANUFACTURING DIRECT. (800) 882-0272 FACTORY HOURS – MON.–FRI., 8AM-5PM EST DO NOT RETURN THIS PRODUCT TO THE RETAILER OR CONTACT THE RETAILER DIRECT. THE RETAILER DOES NOT STOCK COMPONENTS. PLEASE RETAIN THESE INSTRUCTIONS FOR FUTURE REFERENCE. KEEP THEM IN A SAFE PLACE WHERE YOU CAN REFER TO THEM AS NEEDED.

CONTACT INFO:

Gorilla Playsets
190 Etowah Industrial Court
Canton, GA 30114
Tel. (800) 882-0272
Fax. (678) 880-3329
custsrv@gorillaplaysets.com

Check for revised instructions at www.gorillaplaysets.com/category-s/92.htm

Thank you for choosing Gorilla Playsets®

We've included everything you need, except tools, to build your very own professional looking play set. When complete, your new play set should far exceed the quality of play set kits from other build-your-own companies. Our engineers and design team have over 30 years of playground experience. What we've developed is a play set that doesn't compromise quality for simplicity. Yet you'll appreciate how quick and easy construction really is! Our play set kits are designed for children ages 3 to 11. Gorilla Playsets® believes every child should have a play set and with our kits they can! You can rest assured your new play set is safe, durable and designed to hold up to the elements. As parents ourselves, we know how important the security and well-being of our children is, and this shows in all of our products.

Each play set features our step-by-step 3D illustrated manual, powder coated components, plus all the required hardware and pre-milled lumber.

Quality Lumber

At Gorilla Playsets, we use only the finest, hand selected lumber available. You can be assured that our lumber is strong, durable, and conforms to the national standards for use in children's play equipment. It's this quality that allows us to offer a 10 year warranty on the lumber used in our play sets.

Limited Manufacturers Warranty

Gorilla Playsets® (“Gorilla”) warrants its play sets to be free from defects in workmanship and materials, under normal use and conditions at its original installation, for 10 years for structural wood components and for one year for all other components (e.g., hardware, plastics, tarps, rope ladder, etc.)

Cosmetic defects or natural defects of wood (e.g., warping, seasonal checking or cracking, knots, or knot holes, etc.) that do not affect the structural integrity of the product are not covered by this warranty. Defects that develop because the product is exposed to extreme climate conditions, or that develop as a result of faulty or improper installation of the product, are not covered by this warranty. Fading or discoloration of any part or accessory, cracks in plastic components, surface rust on hardware, and chips on powder coated materials are not considered defects in material as long as they do not affect the functionality or structural integrity of the part or component.

It is the owner’s responsibility to properly maintain the play set. Instructions for proper maintenance can be found on Gorilla’s website. Imperfections or defects that develop because of a failure to properly maintain the play set are not covered by this warranty.

Gorilla will repair or, at its discretion, replace any part within the stated warranty period that is defective in workmanship or materials. This decision is subject to verification of the defect, which, at Gorilla’s discretion, may be accomplished by submitting photographs or by delivery of the defective part to Gorilla. Any warranty claim must include proof of purchase, including the date of purchase.

This warranty is valid only if the product is used for the purpose for which it was designed and installed at a residential, single-family dwelling. This warranty is void if the product is put to commercial or institutional use. This warranty does not cover (a) products that have been damaged by acts of God, negligence, misuse, or accident, or that have been modified or repaired by unauthorized persons; (b) the cost of labor; or (c) the cost of shipping the product, any part, or any replacement product or part.

GORILLA DISCLAIMS ALL OTHER REPRESENTATIONS AND WARRANTIES OF ANY KIND, EXPRESS, IMPLIED, STATUTORY, OR OTHERWISE, INCLUDING THE IMPLIED WARRANTIES OF MERCHANTABILITY AND FITNESS FOR A PARTICULAR PURPOSE. GORILLA WILL NOT BE LIABLE FOR ANY INCIDENTAL OR CONSEQUENTIAL DAMAGES. This warranty is valid only in the United States of America, is nontransferable and does not extend to the owners of the product subsequent to the original purchaser, and only applies to the product as originally installed (in other words, installing the product and then later disassembling and reinstalling the product at the same or another location voids the warranty). Some states do not allow limitations on implied warranties or exclusion of incidental or consequential damages, so these restrictions may not be applicable to you. This warranty gives you specific legal rights. You may also have other rights which vary from state to state.

IMPORTANT SAFETY GUIDELINES

This product is intended for residential use only and not intended for use in any public setting. A safety surface such as mulch or recycled tire should be used under the play set to prevent injury from falls. Also a 6 foot safety zone should be used around the entire play set.

As with any home project, good judgment and respect for power tools will greatly reduce the risk of injury. Gorilla recommends you follow all tool manufacturers' safety guidelines. Always wear eye protection and safety gloves to prevent injury. In several phases of construction two people may be required for lifting and securing of lumber. While play set is being constructed, please keep children off the equipment until the project is complete. Bolts and screw heads should be checked regularly for tightness.

Gorilla shall not be liable for incidental, indirect or consequential damages or injuries that result from the building and/or playing on our play sets. Adult supervision is recommended anytime a play set is being used.

General Info to Review Before Installation

- Depending on your experience, assembly of the See Saw can take as little as 1 hour up to 2 hours.
- Identify all of the parts for your play set. Empty each box and lay out boards so you can see each part. Your instruction book will have detailed drawings that will make it easy for you to recognize individual parts. Keep all hardware and metal parts separate from wooden pieces.
- After everything is laid out, check carefully to ensure all parts are present. Make sure there are no broken boards.
- Find an area to sort your hardware. It is best to open the hardware on a solid surface so that you do not lose any pieces in the grass. This will save time and familiarize you with all the different pieces in the hardware bag.
- Important note: Wood has some natural defects such as knots, surface cracks, etc... We reject parts that are structurally defective. We use a high quality lumber in our structures; however, you should inspect each part for splinters or rough spots and sand them smooth to prevent injury.
- After familiarizing yourself with all of the components, read all instructions thoroughly. Reading instructions after you have studied the parts will help you understand more clearly the installation process, and help to eliminate unnecessary mistakes.
- Pay close attention to the diameter and length of each bolt and screw.
- Never tighten hardware completely at first. It helps to have some adjustment for bolt alignment while you are attaching parts together. After everything is square, tighten each joint.
- After you complete installation, make sure every bolt, screw, and nut is tight, and every board is secure. Wood will expand and contract with the seasons.
- Check all bolt connections and swing hangers every season.
- Place the set on level ground, not less than 6ft from any structure or obstruction such as a fence, garage, house, overhanging branches, laundry lines, or electrical wires.

READ! VERY IMPORTANT!

If you are missing parts or have questions regarding the installation of our quality product PLEASE call us directly at the factory (1-800-882-0272). Our trained staff will be happy to assist you.

Customer service hours:
Monday thru Friday 8AM – 5PM EST
E-mail: custsrv@gorillaplaysets.com

REQUIRED TOOL LIST:

- ___ Standard or Cordless Drill w/ Phillips Bit
- ___ 3/8" Drill Bit
- ___ 1/2" Wrench and Socket
- ___ 1/2" Deep Well Socket
- ___ Tape Measure
- ___ Extension Cord (if using standard drill)
- ___ Hammer
- ___ Pencil

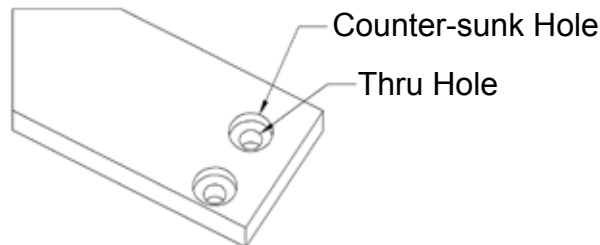
Hardware:

see following pages

Wood Components:

see following pages

Counter-sunk Holes - Many of the parts that will be used have counter-sunk holes. A counter-sunk hole is one that surrounds one side of a thru hole, but does not extend through the wood itself. When using a counter-sunk hole the bolt will be inserted through the thru hole. In some cases the bolt head with a washer will occupy the counter-sunk hole. In other cases a nut with a washer will occupy the counter-sunk hole.
















Lag Screws - Lag screws are used in the construction of the See Saw. There will not be predrilled holes in the parts for the lag screw installation. Lag screws are self-tapping, though if you are using a manual socket wrench it may be necessary to tap the head of the lag screw with a hammer. You should also be sure to tighten the lag screws completely. Power tools such as an impact wrench or power drill should have enough torque to drive the lag screws without using a hammer, but make sure not to over tighten as this can cause the threads to “strip out” in the part.

READ! VERY IMPORTANT!

If you are missing parts or have questions regarding the installation of our quality product PLEASE call us directly at the factory **(1-800-882-0272)**. Our trained staff will be happy to assist you.

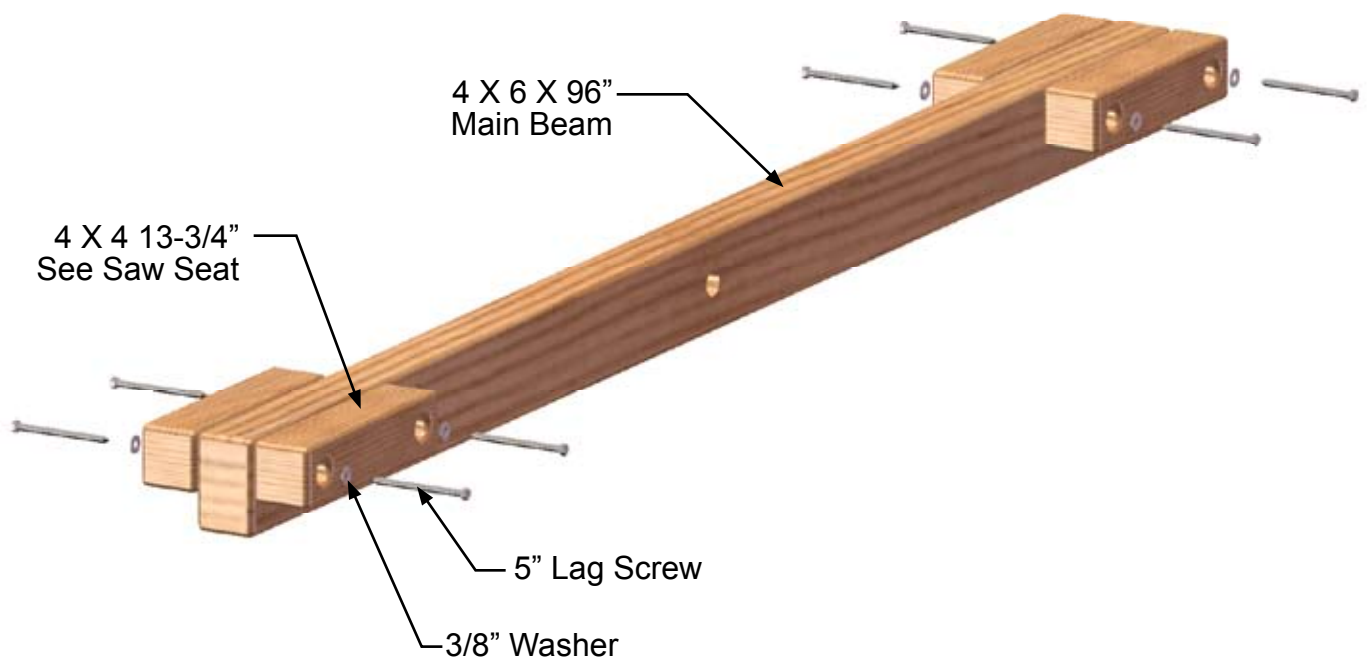
Customer service hours:
Monday thru Friday 8AM – 5PM EST
E-mail: custsrv@gorillaplaysets.com

Picture	Description	Qty.
	3/8 x 3-1/2" Lag Screw	16
	3/8 x 5" Lag Screw	12
	3/8 x 10" Carriage Bolt	1
	1-3/8" x 6"L Pipe	1
	3/8" Washer Torque Washer	29 1
	Lock Nut Green Bolt Cap	1 1

Picture	Description	Qty.
	4 X 6 X 96" Main Beam	1
	4 X 4 X 18-1/2" Frame Block (At Right) (One countersunk hole) 4 X 4 X 18-1/2" Frame Block (At Left) (Two countersunk holes)	1 1
	4 X 4 X 13-3/4" Seat	4
	4 X 4 X 20-1/2" Leg	4
	2 X 6 X 23-1/2" Side Leg Support	2
	2 X 4 X 17-1/2" Lower Leg Support	2
	Handle Block Assembly	2

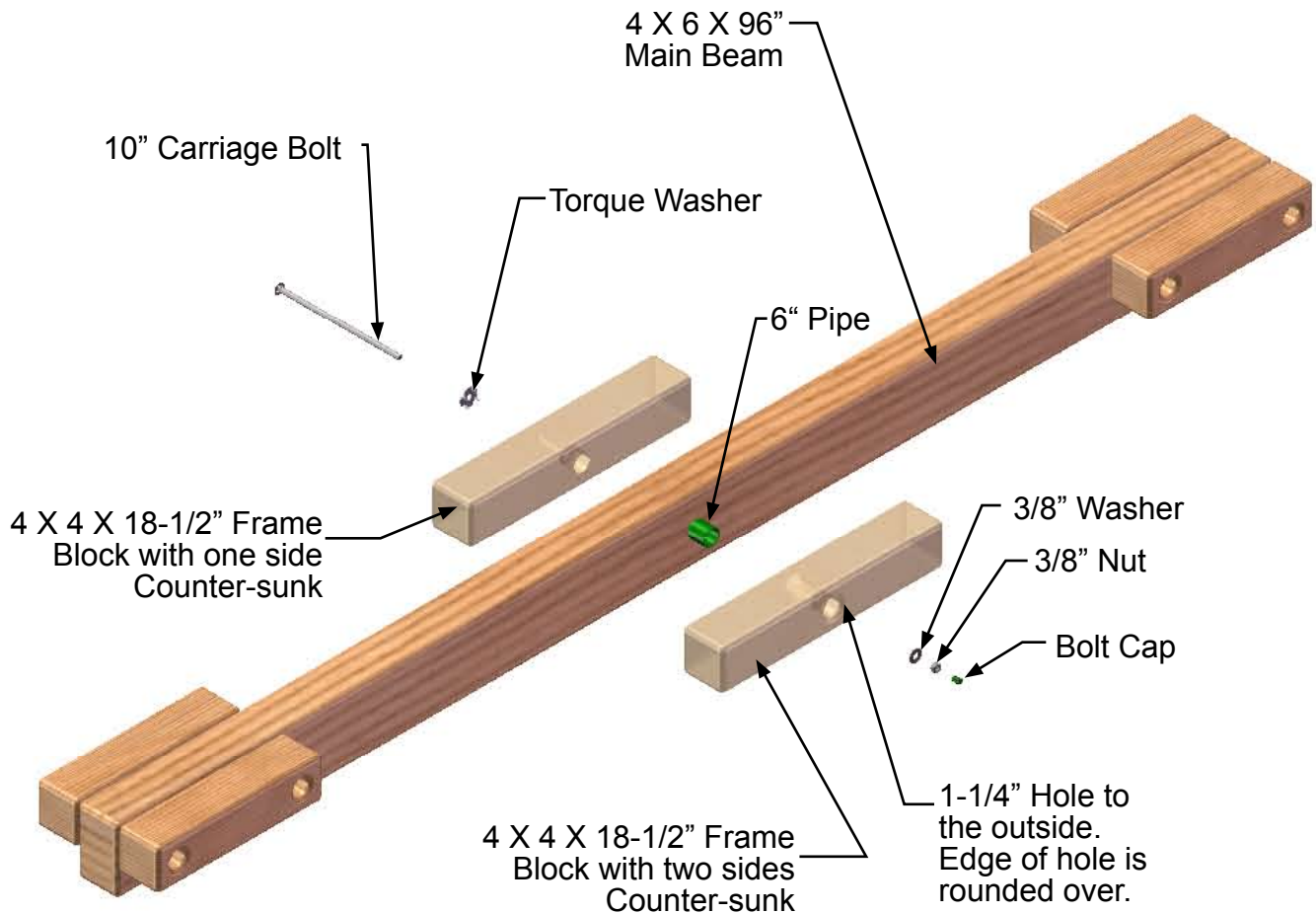
Step 1: Seats

- 1: Place the 4 x 4 x 13-3/4" Seats against the 4 x 6 x 96" Main Beam. The counter-sunk holes of the Seat pieces should face the outside and each piece should be flush to the end and top of the Main Beam.
- 2: Fasten each Seat piece to the Main Beam using two 5" lag screws and two 3/8" washers.
- 3: Repeat steps 1-2 to complete all Seat pieces.



Step 2: Main Beam

- 1: Place the 1-3/8" x 6"L Pipe through the 1-3/8" hole in the 4 x 6 x 96" Main Beam
- 2: Place the 4 x 4 x 18-1/2" Frame Blocks on either side of the Main Beam.
- 3: Work the 1-3/8" holes on the Frame Blocks onto the pipe. These holes will at first appear too small for the Pipe. They are intentionally manufactured this way in order to provide a tight fit. (use a rubber mallet or a scrap piece of wood and a regular hammer to assist in securing the Frame Blocks onto the Pipe.)
- 4: Fasten the Frame Blocks to the Main Beam using the 10" carriage bolt with a Torque Washer, and 3/8" nut with 3/8" washer. The nut and washer will receded into the 1-1/4" counter-sunk hole.
- 5: Tighten just enough to allow the Main Beam to still pivot.
- 6: Place a Green Bolt Cap over the threads on the end of the Carriage Bolt.



Step 3: Legs And Leg Supports

1: (See FIRST Below) Attach two 4 x 4 x 20-1/2" Legs to the 2 x 6 x 23-1/2" Side Leg Support. Align the top of the Side Leg Support with the bottom edge of the Counter-sunk hole in the leg. Make the end of the Side Leg Support flush with the face of the Leg.

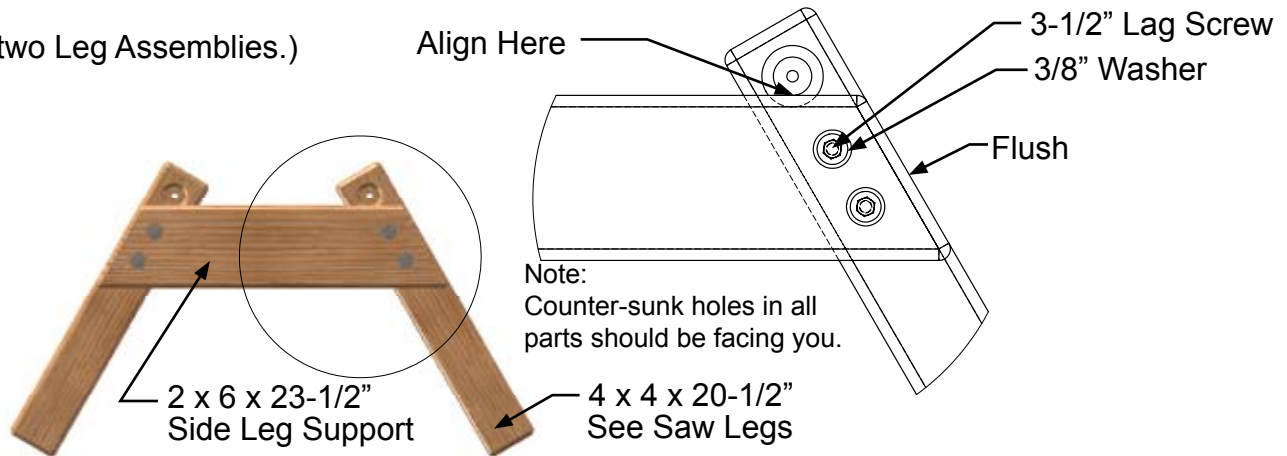
Attach the Side Leg Support to the Legs with four 3-1/2" lag screws and four 3/8" washers. Repeat this process to make another Leg/Leg Support assembly.

2: (See SECOND Below) Place the Leg/Leg Support Assembly against the 4 x 4 x 18-1/2" Frame Block. Center the Leg/Leg Support with the Frame Block. Align the outside surface of each Leg with the bottom corner of the Frame Block.

Attach the Leg/Leg Support Assembly to the Frame Block with two 5" lag screws and two 3/8" washers. Repeat this process for the side.

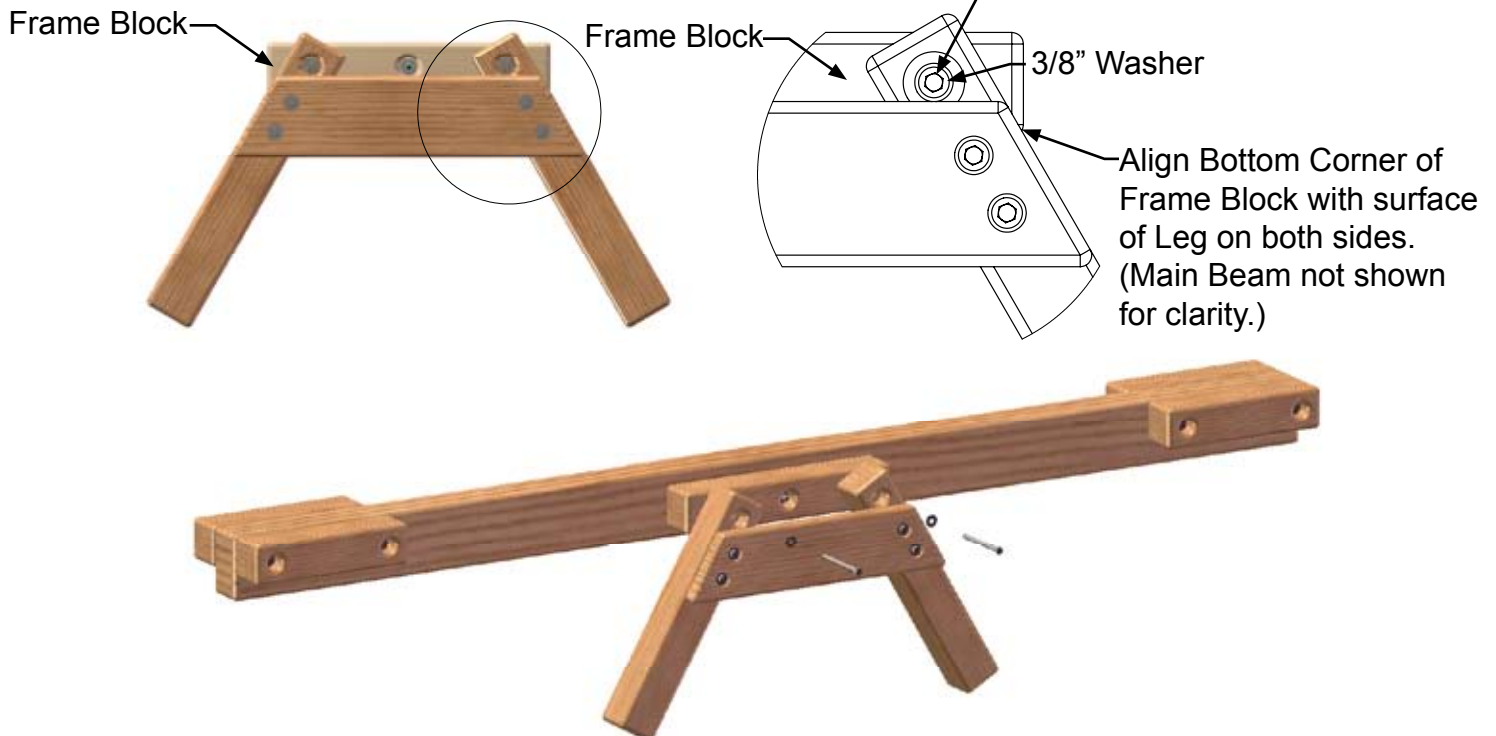
FIRST:

(Make two Leg Assemblies.)



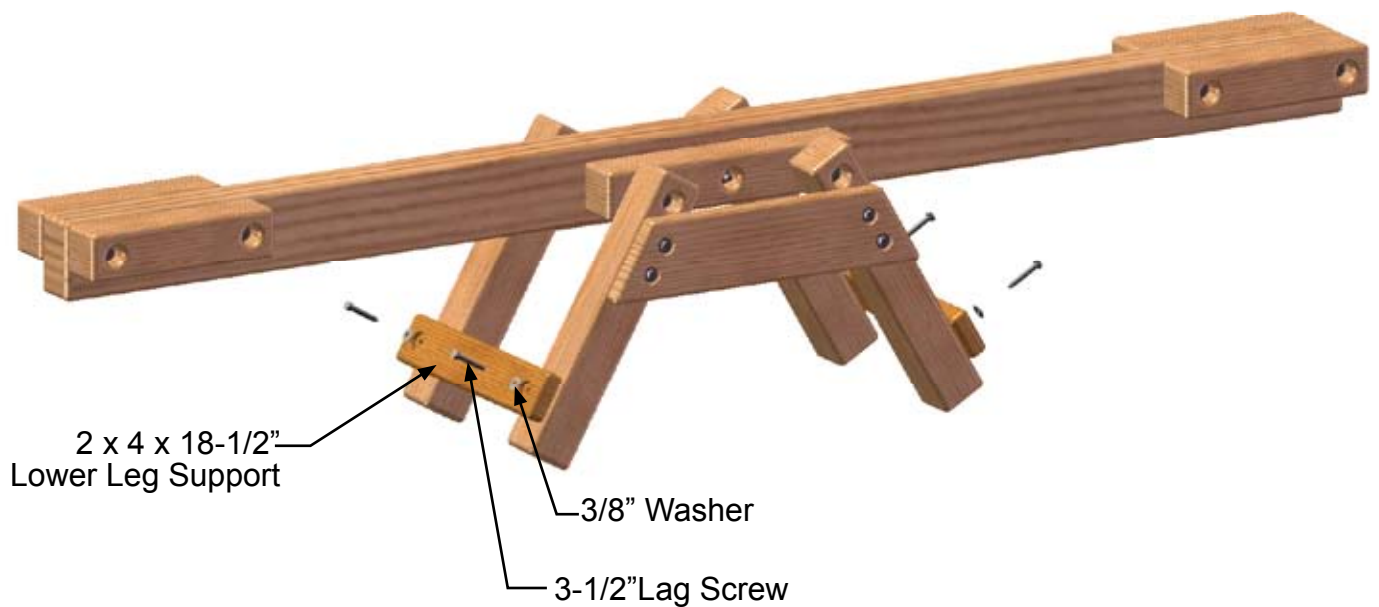
SECOND:

(Attach Leg assemblies to Frame Blocks.)



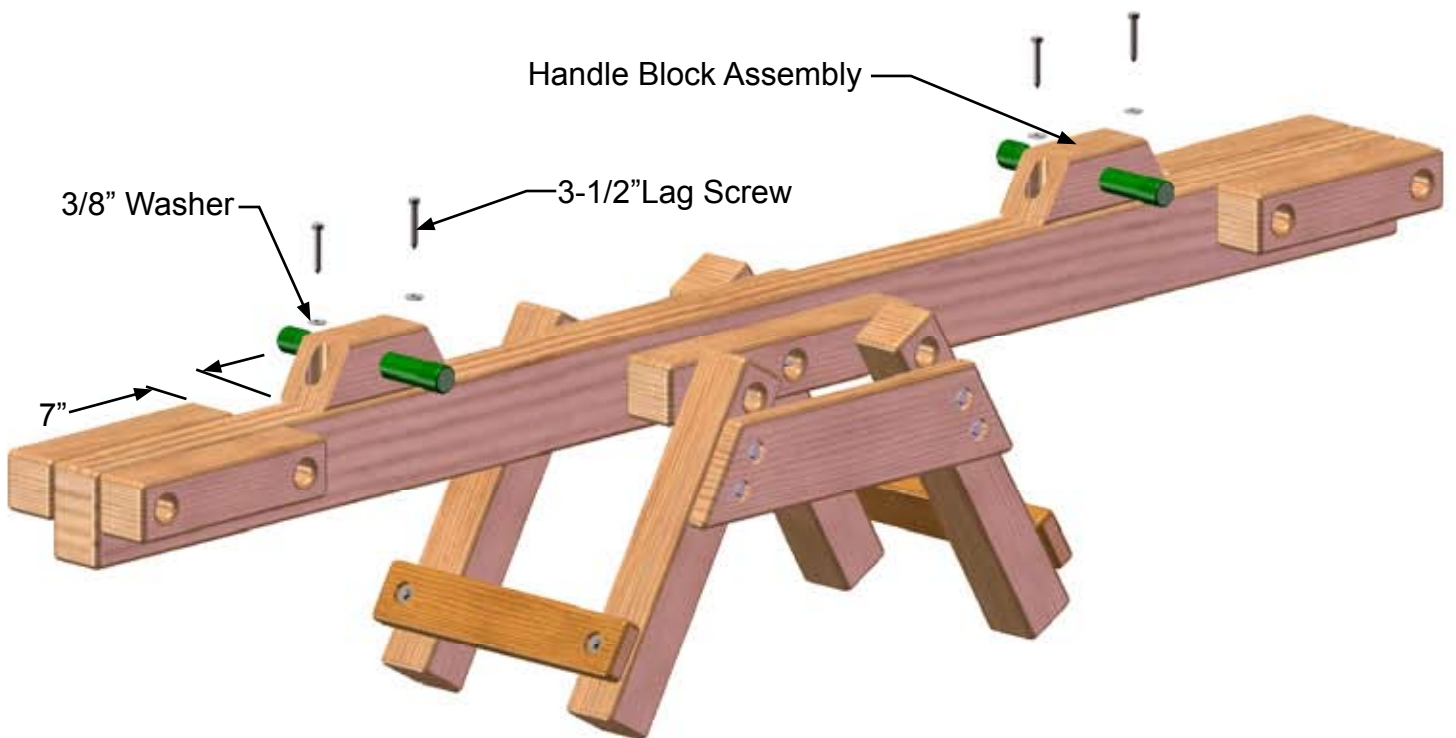
Step 4: Lower Leg Supports

- 1: Measure 2" from the bottom of each Leg and mark with a pencil.
- 2: Place the bottom of the 2 x 4 x 18-1/2" Lower Leg Supports against the 2" mark.
- 3: Fasten the Lower Leg Supports to the Legs using 3-1/2" lag screws and 3/8" washers.



Step 5: Handles

- 1: Place the Handle Block Assembly on top of the Main Beam, 7" from the Seats.
- 2: Fasten the Handle Block Assembly to the Main Beam using 3-1/2" lag screws and 3/8" washers.



WARRANTY REGISTRATION CARD - SEE SAW

Go to www.gorillaplaysets.com/category-s/112.htm to fill out our online registration and save a stamp! If you do not have internet access, fill out this form and return it to us to complete your registration.

Name: _____

Address: _____

City, State, Zip: _____

Email: _____

Date of Purchase: _____

Place of Purchase: _____

City, State, Zip: _____

Please, check the boxes below.

Your age?

- 18-25 26-30 31-35 36-40 41-45 46-50 51-55 56-60
 61-65 66+

How old are your children?

- 2-3 4-5 6-7 8+

How would you rate the quality of our product?

- Excellent Above average Average Below average Poor

Would you recommend this product?

- Yes No

Comments:

Thank you for registering with Gorilla Playsets™! The information you provided will be kept confidential and will ONLY be used to better serve our customers. Remove this page from the manual and mail to the address below. Thank you from everyone here at Gorilla Playsets™!

Mail to:

Gorilla Playsets
190 Etowah Industrial Court
Canton, GA 30114
or fax: (678) 880-3329

